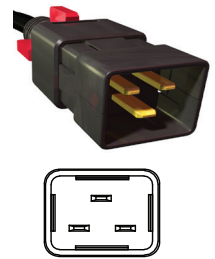


The zLock™ line of universally deployable double-sided locking power cords provides users with a stand-alone locking power cord solution which offers the ability to pair with existing infrastructure. Simply replace your existing power cords with zLock™ locking power cords to secure the power path all the way to devices in the server rack. Switch to zLock™ locking power cords to eliminate any accidental, nuisance or vibration disconnects.

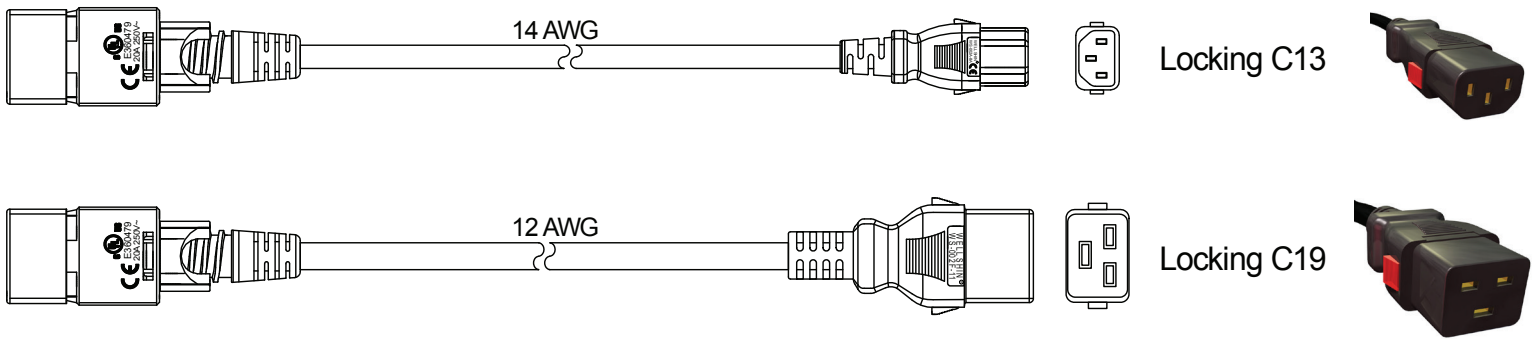
Key Features:

- A plug and play replacement for existing power cords.
- Requires no proprietary mating plug or receptacle on either side of the connection.
- Perfect for deployment in seismically active locations.
- Locking C13, C14, C15, C19 and C20 connectors are now available.
- NEMA connectors to locking C13, C15 and C19 models allow for single-sided locking options. Medical grade models are also available.
- Available in standard Data Center lengths from 2 feet (0.6m) to 10 feet (3m).
- Custom lengths, colors and connector combinations are available upon request.
- Includes an attached serial barcode label for easy scanning into inventory or system mapping.
- UL listed (UL 817), Au and Nz Listed (ULL-100584-EA), and CE compliant (IEC 60320).

Zlock C20 Inlet (Plug)



Stock Configurations:



Other configurations available.

PART NUMBERING

zLock™ — zC20 — 12		aC19		1m		RD		
PRODUCT	PLUG TYPE	GAUGE	(CORD DETAILS)	RECEPTACLE TYPE	(APPLICATION:)		LENGTH	COLOR
zLock™	zC20 - Locking C20	12 - 12 AWG: UL E90165 Type SJTW, 105°C 300V - 3 X 3.31mm Copper	14 - 14 AWG: UL E90165 Type SJT, 105°C 300V - 3 X 2.08mm ² Copper	aC19 - Locking C19	North America:	International:	0.6 - 0.6m (2") 1m - 1m (3'-3") 1.2m - 1.2m (4'-3.2") 1.5m - 1.5m (4'-9.5") 2m - 2m (6'-7") 2.5m - 2.5m (8'-1") 3m - 3m (10')	(None) Black GY Grey WH White YL Yellow OR Orange RD Red GR Green BL Blue
					20A - 125/ 250V	20A - 250V (12 AWG)		
				aC13 - Locking C13				