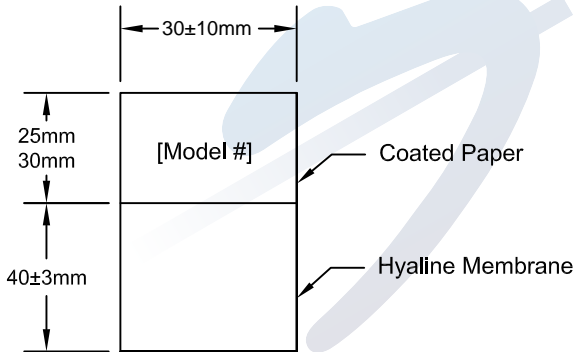


Mold Markings:

Jacket Marking:  
 UL, CSA

Mold Markings:



**Packing: Bundled to Ease Installation**

| No. | Specification                 | QTY | Remarks           | UL File No.  | Approved    | Date | <b>StayOnline®</b> |          |             |       |    |
|-----|-------------------------------|-----|-------------------|--|-------------|------|--------------------|----------|-------------|-------|----|
| 1   | SJT 14 AWG/3 105° C° BLACK    | 1PC |                   | E250704<br>E257089<br>E115330<br>E152635<br>E72389 | Checked     | Date |                    | Customer |             |       |    |
| 2   | Plug IEC 60320 C14 BLACK      | 1PC |                   |  | Drawn       | Date | 15SEP2020          | Model #  | PFC1414E120 |       |    |
| 3   | Connector IEC 60320 C13 BLACK | 1PC |                   |  | Item No.    | 5138 |                    | Material | PVC         | Units | mm |
| 4   | LABEL: (40+30) * 30 mm        | 1PC | MAX Length = 73mm |  | Drawing No. |      | Rev.               | A        | Scale       |       |    |