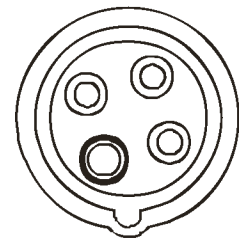
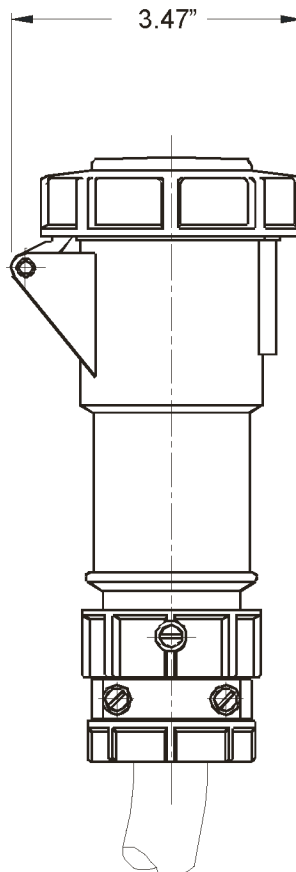
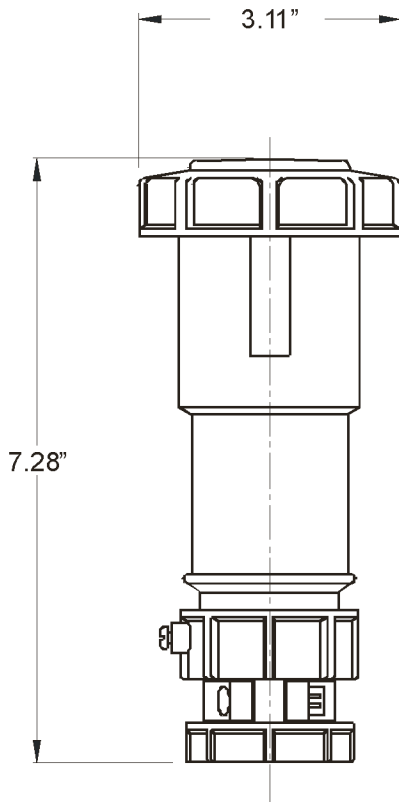

CONNECTOR, IN-LINE

Part No.	ME 420C7W
Description:	20 Amp 3Ø 480Vac 3 Pole, 4 Wire Connector
Construction:	Watertight IEC IP 67
Approvals:	 us to UL Standards 1682; 1686 and CSA C22.2 No. 182.1 IEC 60309-1; IEC 60309-2

IEC COLOR CODE: Red**GROUND SOCKET:** 7 Hour Position Mates with Male in 5 Hour Position.

Front View of Connector

Wire Range: #10 - #14 AWG
Cord Range: .36" - .76"
Threaded Cable Entry: 3/4" NPT

Drawing Not to Scale