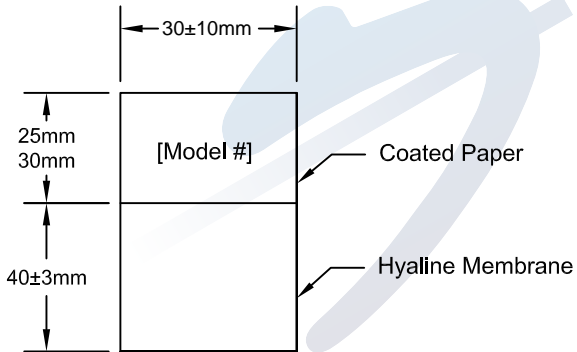


Mold Markings:

Jacket Marking:
 UL, CSA

Mold Markings:



Packing: Bundled to Ease Installation

| No. | Specification | QTY | Remarks | UL File No. | Approved | Date | StayOnline® | | | | |
|-----|-------------------------------|-----|-------------------|--|-------------|------|--------------------|----------|--------------|-------|----|
| 1 | SJT 14 AWG/3 105° C° BLACK | 1PC | | E250704 E257089 E115330 E152635 E72389 | Checked | Date | | Customer | | | |
| 2 | Plug IEC 60320 C14 BLACK | 1PC | | | Drawn | Date | 15SEP2020 | Model # | PFC1414C1572 | | |
| 3 | Connector IEC 60320 C15 BLACK | 1PC | | | Item No. | 3396 | | Material | PVC | Units | mm |
| 4 | LABEL: (40+30) * 30 mm | 1PC | MAX Length = 73mm | | Drawing No. | | Rev. | A | Scale | | |